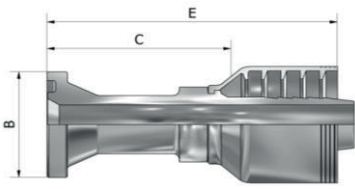


DF40S SERIES(SAE Code 61 Flange Straight)

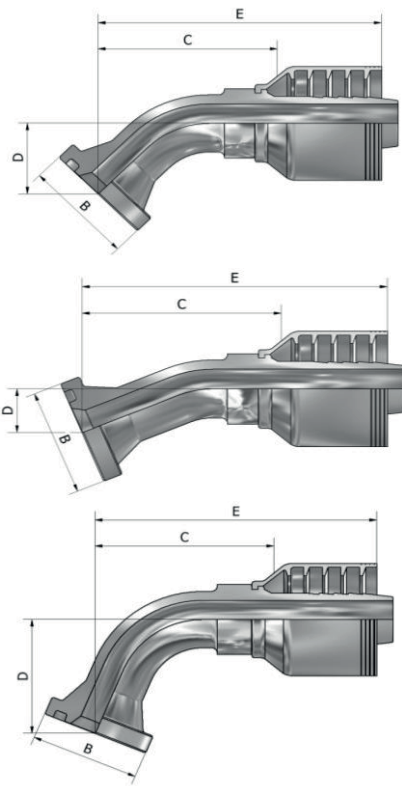
LIST



PART NUMBER	Products Description								
	Hose In-Dia	Flange Size	Flange Dia		Tail-Growth		Overall length		
			MM	Inch	MM	Inch	MM	Inch	
			A		B		C		
DF40S-08-08	1/2	1/2	30.2	1.19	57.9	2.28	88.3	3.48	
DF40S-10-08	1/2	5/8	34.1	1.34	32.2	1.27	62.6	2.46	
DF40S-10-10	5/8	5/8	34.1	1.34	63.2	2.49	94.7	3.73	
DF40S-10-12	3/4	5/8	34.1	1.34	63.8	2.51	100.2	3.94	
DF40S-12-08	1/2	3/4	38.1	1.50	32.0	1.26	62.4	2.46	
DF40S-12-10	5/8	3/4	38.1	1.50	36.5	1.44	68.0	2.68	
DF40S-12-12	3/4	3/4	38.1	1.50	61.6	2.43	98.0	3.86	
DF40S-16-12	3/4	1"	44.5	1.75	33.2	1.31	69.6	2.74	
DF40S-16-16	1"	1"	44.5	1.75	65.9	2.59	109.8	4.32	
DF40S-16-20	1-1/4	1"	44.5	1.75	69.1	2.72	111.6	4.39	
DF40S-20-12	3/4	1-1/4	50.8	2.00	38.8	1.53	75.2	2.96	
DF40S-20-16	1"	1-1/4	50.8	2.00	39.2	1.54	83.1	3.27	
DF40S-20-20	1-1/4	1-1/4	50.8	2.00	77.2	3.04	119.7	4.71	
DF40S-24-16	1"	1-1/2	60.3	2.37	44.4	1.75	88.3	3.48	
DF40S-24-20	1-1/4	1-1/2	60.3	2.37	39.6	1.56	82.1	3.23	
DF40S-24-24	1-1/2	1-1/2	60.3	2.37	83.6	3.29	138.8	5.46	
DF40S-24-32	2"	1-1/2	60.3	2.37	95.2	3.75	153.1	6.03	
DF40S-32-24	1-1/2	2"	71.4	2.81	46.5	1.83	101.7	4.00	
DF40S-32-32	2"	2"	71.4	2.81	85.8	3.38	143.7	5.66	
DF40S-40-32	2"	2-1/2	84.1	3.31	56.5	2.22	114.4	4.50	

DF44S SERIES(SAE Code 61 Flange 45°)

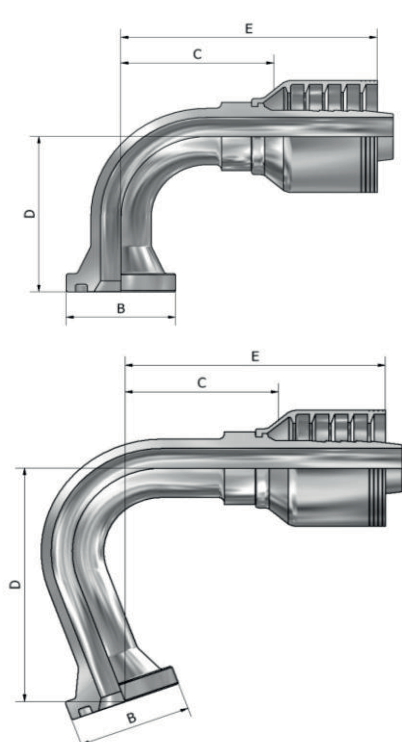
LIST



PART NUMBER	Products Description									
	Hose In-Dia	Flange Size	Flange Dia		Tail-Growth		Drop		Overall length	
			MM	Inch	MM	Inch	MM	Inch	MM	Inch
			A		B		C		D	
DF44S-08-08	1/2	1/2	30.2	1.19	51.9	2.04	21.5	0.85	82.3	3.24
DF44S-10-08	1/2	5/8	34.1	1.34	52.1	2.05	21.5	0.85	82.4	3.24
DF44S-10-10	5/8	5/8	34.1	1.34	69.0	2.72	37.1	1.46	100.5	3.96
DF44S-12-08	1/2	3/4	38.1	1.50	52.6	2.07	22.0	0.87	82.9	3.26
DF44S-12-12	3/4	3/4	38.1	1.50	61.4	2.42	26.0	1.02	97.8	3.85
DF44S-12-12A22.5	3/4	3/4	38.1	1.50	67.0	2.64	15.8	0.62	103.3	4.07
DF44S-12-12A30	3/4	3/4	38.1	1.50	65.3	2.57	19.9	0.78	101.6	4.00
DF44S-12-12A60	3/4	3/4	38.1	1.50	64.4	2.54	39.2	1.54	100.7	3.96
DF44S-12-12A67.5	3/4	3/4	38.1	1.50	62.0	2.44	42.4	1.67	98.4	3.87
DF44S-16-12	3/4	1"	44.5	1.75	63.2	2.49	28.0	1.10	99.6	3.92
DF44S-16-12A22.5	3/4	1"	44.5	1.75	71.2	2.80	16.9	0.67	107.5	4.23
DF44S-16-12A30	3/4	1"	44.5	1.75	67.7	2.67	21.3	0.84	104.0	4.09
DF44S-16-12A60	3/4	1"	44.5	1.75	64.4	2.54	42.1	1.66	100.8	3.97
DF44S-16-12A67.5	3/4	1"	44.5	1.75	61.1	2.41	44.1	1.74	97.4	3.83
DF44S-16-16	1"	1"	44.5	1.75	78.1	3.07	32.0	1.26	122.0	4.80
DF44S-16-16A22.5	1"	1"	44.5	1.75	82.3	3.24	19.7	0.78	126.2	4.97
DF44S-16-16A30	1"	1"	44.5	1.75	81.7	3.22	24.8	0.98	125.6	4.94
DF44S-16-16A60	1"	1"	44.5	1.75	72.8	2.87	38.0	1.50	116.6	4.59
DF44S-16-16A67.5	1"	1"	44.5	1.75	79.7	3.14	61.4	2.42	123.6	4.87
DF44S-20-12	3/4	1-1/4	50.8	2.00	65.2	2.57	30.0	1.18	101.6	4.00
DF44S-20-16	1"	1-1/4	50.8	2.00	74.8	2.94	32.0	1.26	118.7	4.67
DF44S-20-16A22.5	1"	1-1/4	50.8	2.00	82.8	3.26	19.6	0.77	125.9	4.96
DF44S-20-16A30	1"	1-1/4	50.8	2.00	80.0	3.15	24.6	0.97	123.8	4.87
DF44S-20-16A60	1"	1-1/4	50.8	2.00	82.9	3.26	58.6	2.31	126.7	4.99
DF44S-20-16A67.5	1"	1-1/4	50.8	2.00	77.9	3.07	61.4	2.42	121.8	4.80
DF44S-20-20	1-1/4	1-1/4	50.8	2.00	99.8	3.93	38.0	1.50	142.3	5.60
DF44S-20-20A22.5	1-1/4	1-1/4	50.8	2.00	99.6	3.92	19.7	0.78	142.1	5.59
DF44S-20-20A30	1-1/4	1-1/4	50.8	2.00	97.7	3.85	24.5	0.96	140.2	5.52
DF44S-20-20A60	1-1/4	1-1/4	50.8	2.00	96.4	3.80	47.2	1.86	138.9	5.47
DF44S-20-20A67.5	1-1/4	1-1/4	50.8	2.00	93.6	3.69	49.0	1.93	136.1	5.36
DF44S-24-20	1-1/4	1-1/2	60.3	2.37	99.8	3.93	38.0	1.50	142.3	5.60
DF44S-24-20A22.5	1-1/4	1-1/2	60.3	2.37	108.2	4.26	23.2	0.91	150.7	5.93
DF44S-24-20A30	1-1/4	1-1/2	60.3	2.37	105.6	4.16	29.1	1.15	148.1	5.83
DF44S-24-20A60	1-1/4	1-1/2	60.3	2.37	96.4	3.80	47.2	1.86	138.9	5.47
DF44S-24-20A67.5	1-1/4	1-1/2	60.3	2.37	93.6	3.69	49.0	1.93	136.1	5.36
DF44S-24-24	1-1/2	1-1/2	60.3	2.37	113.8	4.48	41.0	1.61	169.0	6.65
DF44S-24-24A22.5	1-1/2	1-1/2	60.3	2.37	113.4	4.46	21.7	0.85	168.6	6.64
DF44S-24-24A30	1-1/2	1-1/2	60.3	2.37	111.4	4.39	26.9	1.06	166.6	6.56
DF44S-24-24A60	1-1/2	1-1/2	60.3	2.37	114.6	4.51	56.4	2.22	169.8	6.69
DF44S-24-24A67.5	1-1/2	1-1/2	60.3	2.37	111.2	4.38	59.0	2.32	166.4	6.55
DF44S-32-24	1-1/2	2"	71.4	2.81	122.8	4.83	50.0	1.97	178.0	7.01
DF44S-32-24A22.5	1-1/2	2"	71.4	2.81	135.4	5.33	30.8	1.21	190.5	7.50
DF44S-32-24A30	1-1/2	2"	71.4	2.81	131.9	5.19	38.8	1.53	187.1	7.37
DF44S-32-24A60	1-1/2	2"	71.4	2.81	122.7	4.83	71.0	2.80	177.9	7.00
DF44S-32-24A67.5	1-1/2	2"	71.4	2.81	117.5	4.63	74.1	2.92	172.7	6.80
DF44S-32-32	2"	2"	71.4	2.81	142.6	5.61	49.7	1.96	200.5	7.89
DF44S-32-32A22.5	2"	2"	71.4	2.81	148.6	5.85	30.2	1.19	206.5	8.13
DF44S-32-32A30	2"	2"	71.4	2.81	145.9	5.74	37.3	1.47	203.7	8.02
DF44S-32-32A60	2"	2"	71.4	2.81	150.5	5.93	77.1	3.04	208.3	8.20
DF44S-32-32A67.5	2"	2"	71.4	2.81	146.3	5.76	79.9	3.15	204.2	8.04
DF44S-40-32	2"	2-1/2	84.1	3.31	148.2	5.83	55.3	2.18	206.0	8.11

DF49S SERIES(SAE Code 61 Flange 90°)

LIST



PART NUMBER	Products Description									
	Hose In-Dia	Flange Size	Flange Dia		Tail-Growth		Drop		Overall length	
			MM	Inch	MM	Inch	MM	Inch	MM	Inch
			A		B		C		D	
DF49S-08-08	1/2	1/2	30.2	1.19	48.1	1.89	43.0	1.69	78.5	3.09
DF49S-10-08	1/2	5/8	34.1	1.34	45.2	1.78	50.0	1.97	75.6	2.98
DF49S-10-10	5/8	5/8	34.1	1.34	46.6	1.83	53.0	2.09	78.1	3.07
DF292-12-08	1/2	3/4	38.1	1.50	45.2	1.78	50.0	1.97	75.6	2.98
DF49S-12-10	5/8	3/4	38.1	1.50	46.6	1.83	53.0	2.09	78.1	3.07
DF49S-12-12	3/4	3/4	38.1	1.50	52.8	2.08	58.0	2.28	89.1	3.51
DF49S-12-12A110	3/4	3/4	38.1	1.50	51.1	2.01	84.0	3.31	87.4	3.44
DF49S-12-12D83	3/4	3/4	38.1	1.50	52.8	2.08	83.0	3.27	89.2	3.51
DF49S-12-12D100	3/4	3/4	38.1	1.50	52.8	2.08	100.0	3.94	89.2	3.51
DF49S-12-12D122	3/4	3/4	38.1	1.50	52.8	2.08	122.0	4.80	89.2	3.51
DF49S-16-12	3/4	1"	44.5	1.75	52.8	2.08	58.0	2.28	89.2	3.51
DF49S-16-12A100	3/4	1"	44.5	1.75	59.4	2.34	85.8	3.38	95.8	3.77
DF49S-16-12A110	3/4	1"	44.5	1.75	51.1	2.01	84.0	3.31	87.4	3.44
DF49S-16-12D80	3/4	1"	44.5	1.75	52.8	2.08	80.0	3.15	89.2	3.51
DF49S-16-16	1"	1"	44.5	1.75	65.1	2.56	70.0	2.76	109.0	4.29
DF49S-16-16A110	1"	1"	44.5	1.75	57.2	2.25	94.0	3.70	101.0	3.98
DF49S-16-16D117	1"	1"	44.5	1.75	65.1	2.56	117.0	4.61	109.0	4.29
DF49S-16-16D150	1"	1"	44.5	1.75	65.1	2.56	150.0	5.91	109.0	4.29
DF49S-16-16D90	1"	1"	44.5	1.75	65.1	2.56	90.0	3.54	109.0	4.29
DF49S-16-20	1-1/4	1"	44.5	1.75	70.0	2.76	70.0	2.76	112.5	4.43
DF49S-20-12	3/4	1-1/4	50.8	2.00	52.8	2.08	58.0	2.28	89.2	3.51
DF49S-20-16	1"	1-1/4	50.8	2.00	65.1	2.56	70.0	2.76	109.0	4.29
DF49S-20-16A110	1"	1-1/4	50.8	2.00	61.2	2.41	94.0	3.70	105.0	4.13
DF49S-20-16D100	1"	1-1/4	50.8	2.00	65.1	2.56	100.0	3.94	109.0	4.29
DF49S-20-16D117	1"	1-1/4	50.8	2.00	90.1	3.55	117.0	4.61	134.0	5.28
DF49S-20-20	1-1/4	1-1/4	50.8	2.00	88.2	3.47	82.0	3.23	130.7	5.15
DF49S-20-20A110	1-1/4	1-1/4	50.8	2.00	69.6	2.74	104.0	4.09	112.1	4.41
DF49S-20-20D130	1-1/4	1-1/4	50.8	2.00	108.2	4.26	130.0	5.12	150.7	5.93
DF49S-20-20D140	1-1/4	1-1/4	50.8	2.00	108.2	4.26	140.0	5.51	150.7	5.93
DF49S-20-20D168	1-1/4	1-1/4	50.8	2.00	108.2	4.26	168.0	6.61	150.7	5.93
DF49S-24-16	1"	1-1/2	60.3	2.37	65.1	2.56	75.0	2.95	109.0	4.29
DF49S-24-20	1-1/4	1-1/2	60.3	2.37	88.					